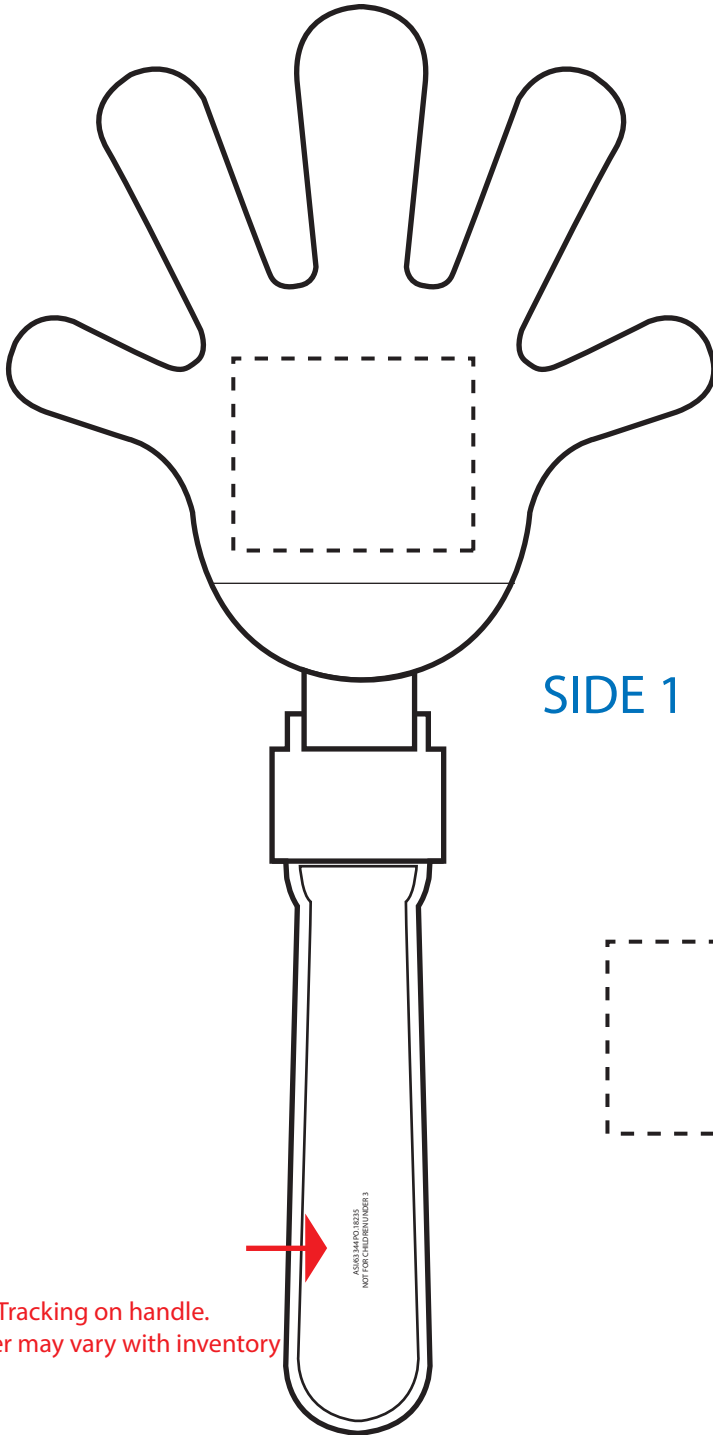
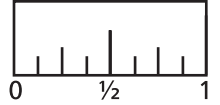
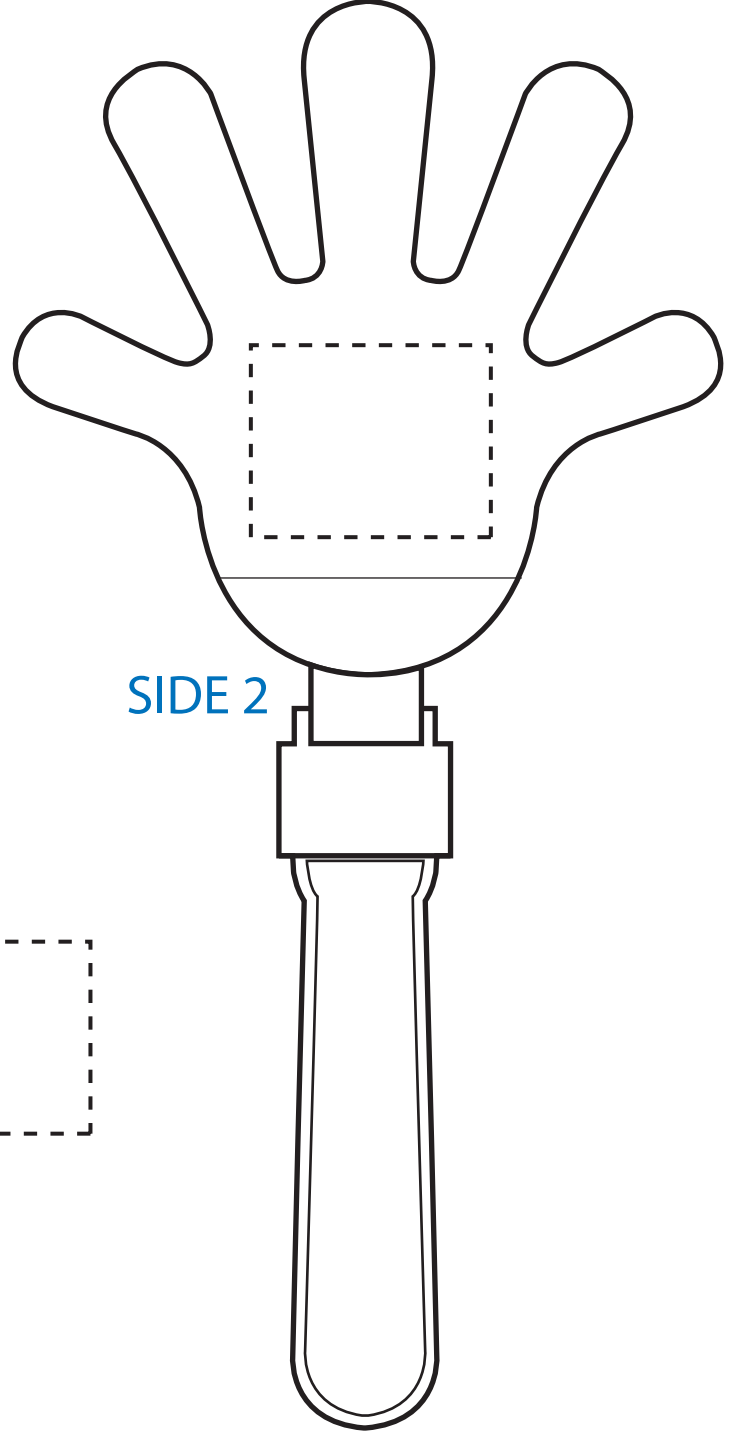


NM104: Hand Clappers

Imprint Area: 1.25" x 1"
Alt. Imprint Area (back): 1.25" x 1"
Imprint Method: pad



SIDE 1



SIDE 2

Tracking on handle.
number may vary with inventory

NOTES: ITEM COLORS AVAILABLE: silver, green, white, purple, blue, orange, red

MULTI COLOR IMPRINT: can imprint up to 1 spot color
MINIMUM POINT SIZE: 7 Points

This template reflects our most accurate product information based on current inventory and print experiences and is subject to change.
Template sizes are not necessarily to scale and are primarily for position.
Similarly, item colors shown on template are not necessarily accurate and should be used for general description only.