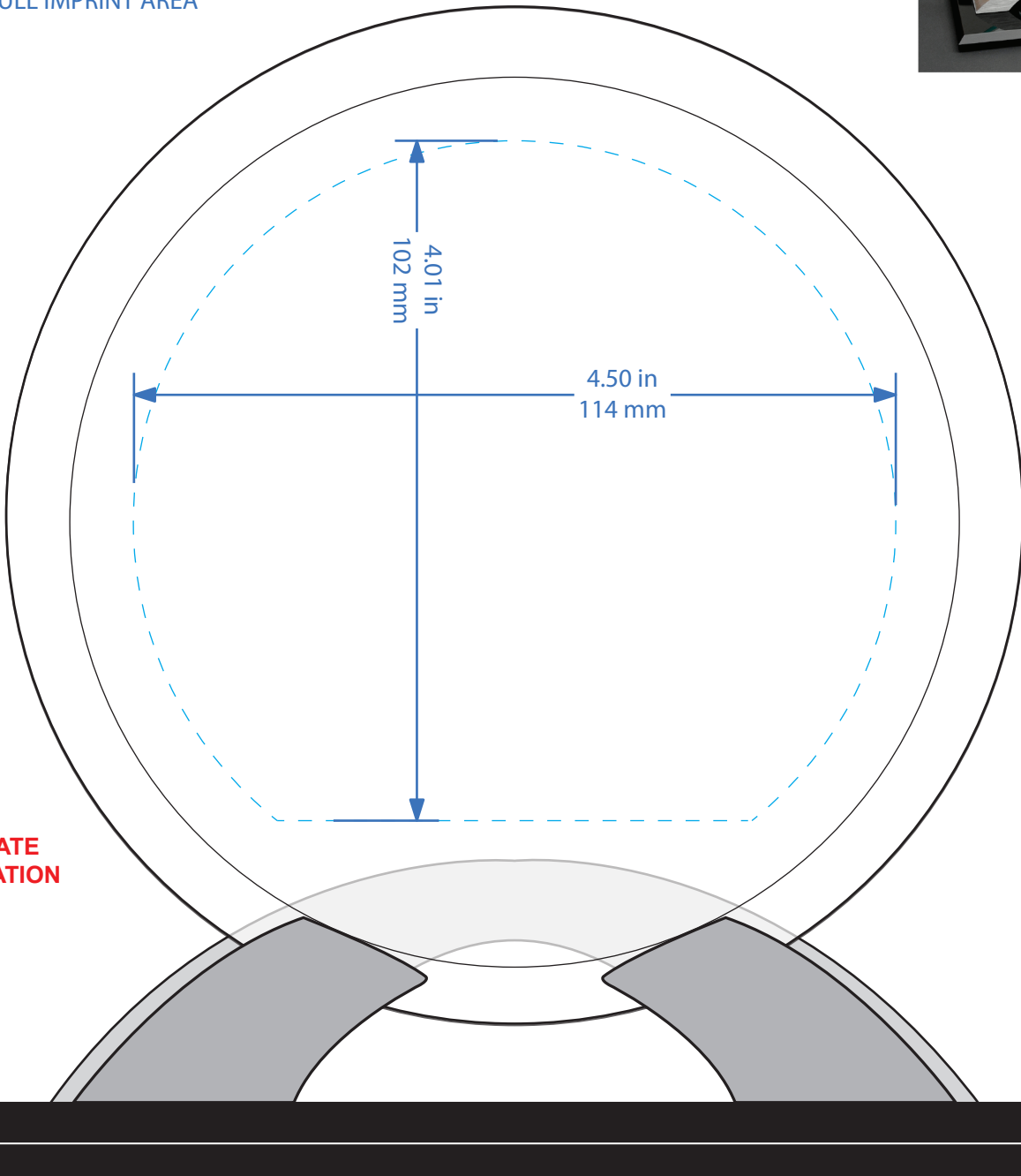
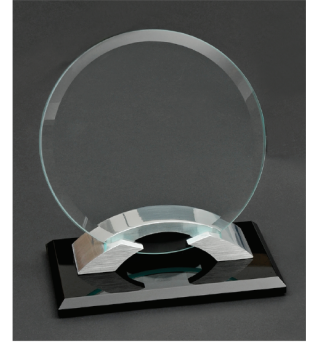


— ETCH ON BACK +

6663 MEDIUM TANGENT - # AWARDS

FOLLOW DOTTED BLUE LINE FOR
FULL IMPRINT AREA



**APPROXIMATE
REPRESENTATION**

DASHED LINE INDICATES ETCH AREA - WILL NOT IMPRINT