



MULTI COLOR IMPRINT:
2 Spot Color

MINIMUM POINT SIZE: 7 Point

Imprint Method: Pad Print
Alt Imprint Method: xxx

Location & Size:
STD - Top 1.25" W x 1.25" H
ALT - xxxx

Factory PO#:

Item# FL202 - Camping Lantern Sytle Flashlight

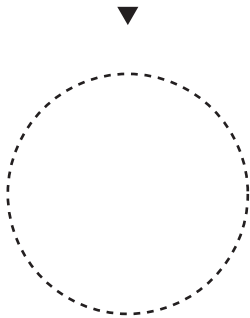
Item Color(s) Ordered: XXXX
Item Material: Plastic
Item Size: 5" H x 3.34" DIA.
Imprint Color(s): XXX
Item Colors Available:
Gunmetal

PLEASE REVIEW PROOF CAREFULLY BEFORE APPROVING

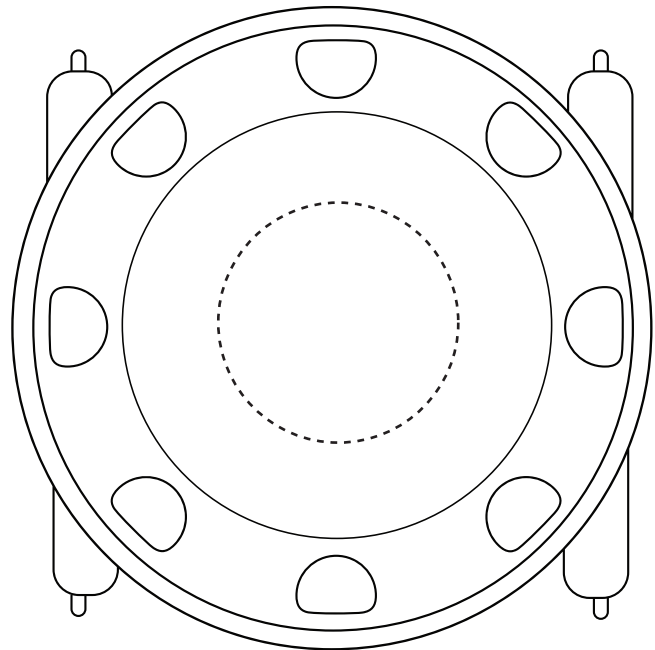
Factory will not be held responsible for Eproof approvals that contain errors whether the error is that of the factory or the client. An approval means the client is approving all information on the proof. Eproofs are designed for size, placement and position only.

****DOTTED LINES REPRESENT IMPRINT AREA & DO NOT PRINT****

100% ACTUAL STD IMPRINT SIZE



**Front - Standard Position
Item at 100% actual size**



**BAR CODE PLACEMENT
HOLDER**

This template reflects our most accurate product information based on current inventory and print capabilities and is subject to change without notice. Template item sizes are not necessarily to scale (as noted). Similarly, item colors shown on template may vary based on monitor resolution and other environmental factors and should be used for reference only.