

Paper Proof

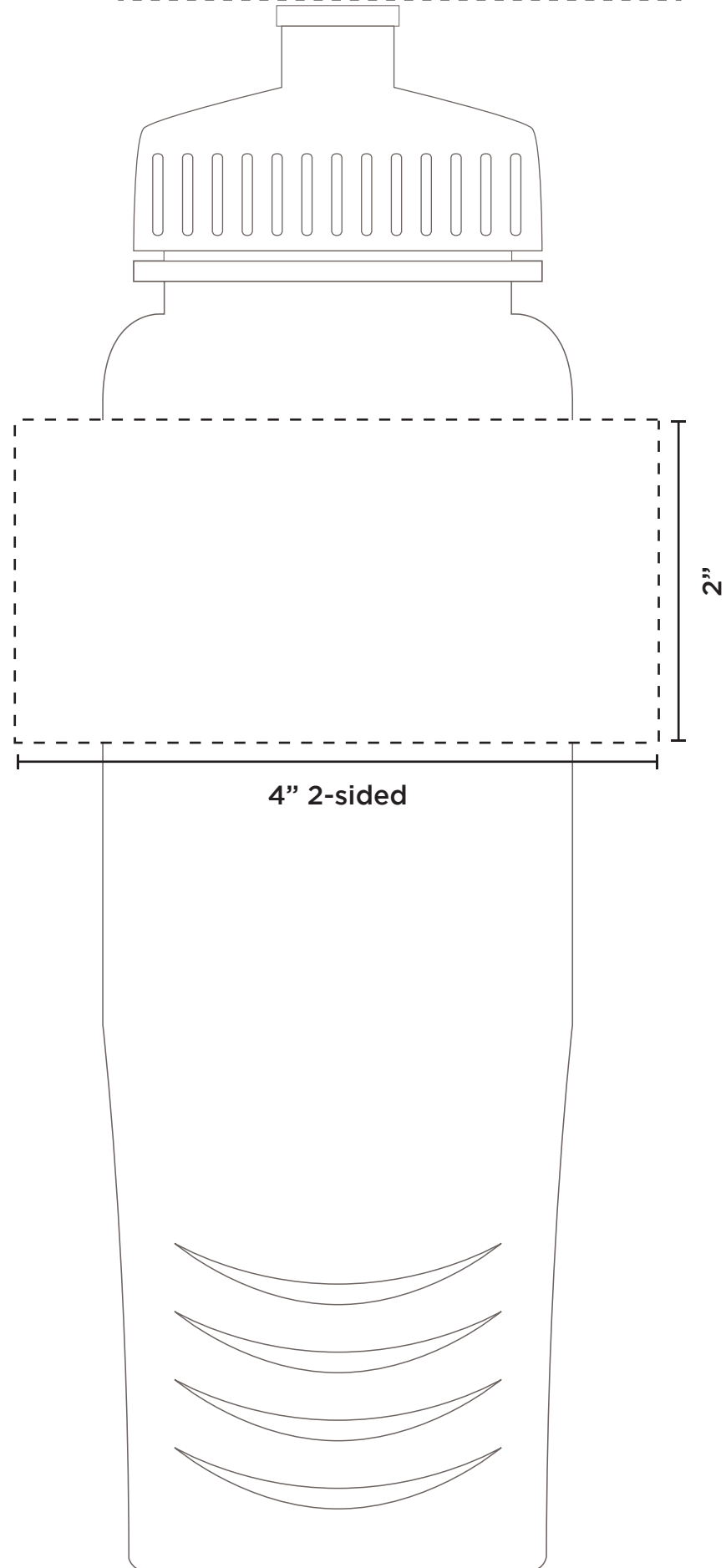
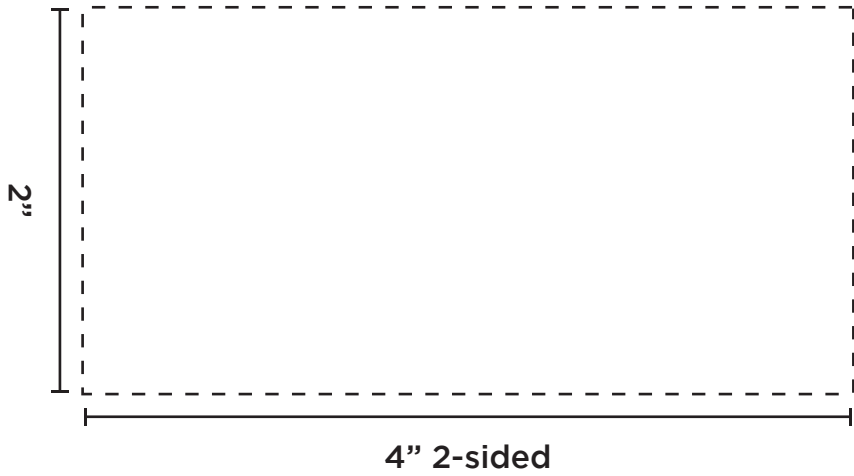
PB28

28 oz Polyclean™ Bottle
Scale: Actual Size

Purchase Order

XXXXXXXXXX

Dashed line indicates imprint area and will not appear on your product.



Paper Proof

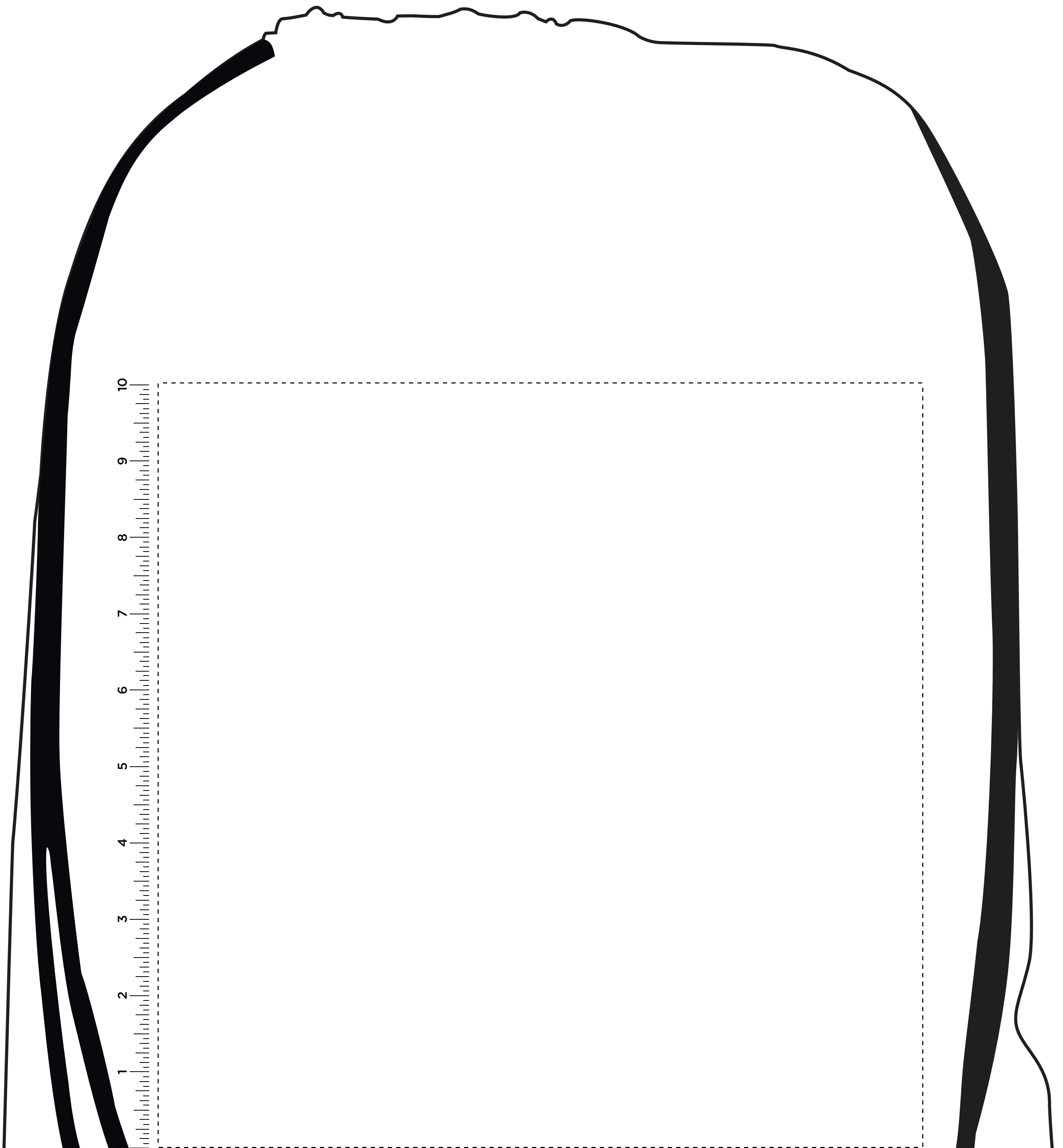
DSBP - Draw String Back Pack

Scale: Actual Size

Purchase Order #

XXXXXXXXXX

Dashed line indicates imprint area and will not appear on your product.



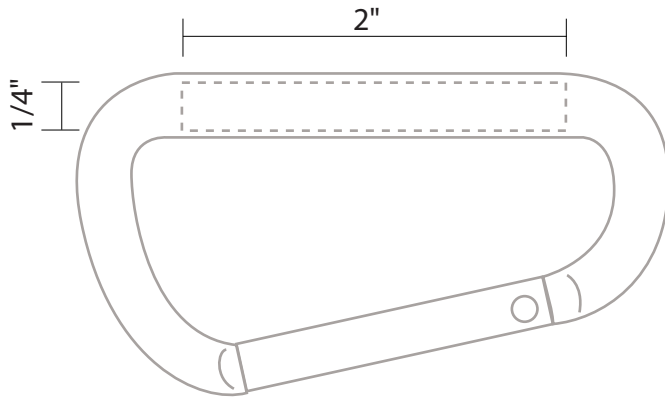
Paper Proof

C8 - Carabineer 8mm

Purchase Order # _____

Dashed line indicates imprint area and will not appear on your product.

C-8, C-8S
SIZE 2 X .25



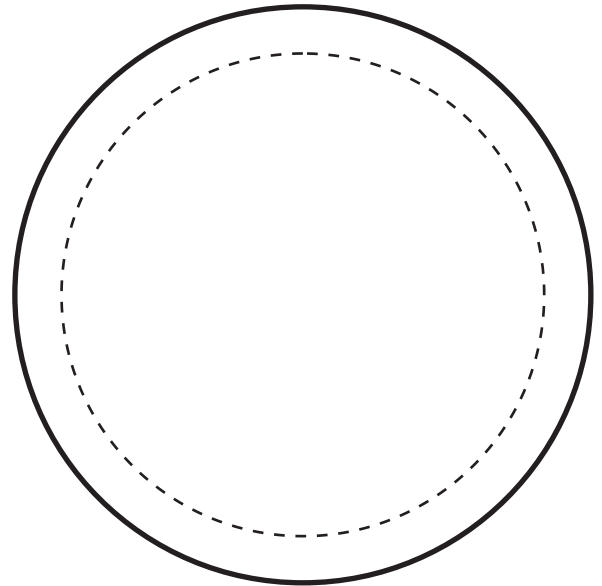
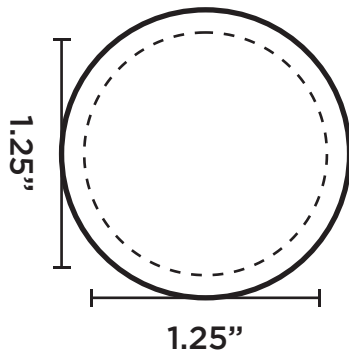
Enlarged

Paper Proof

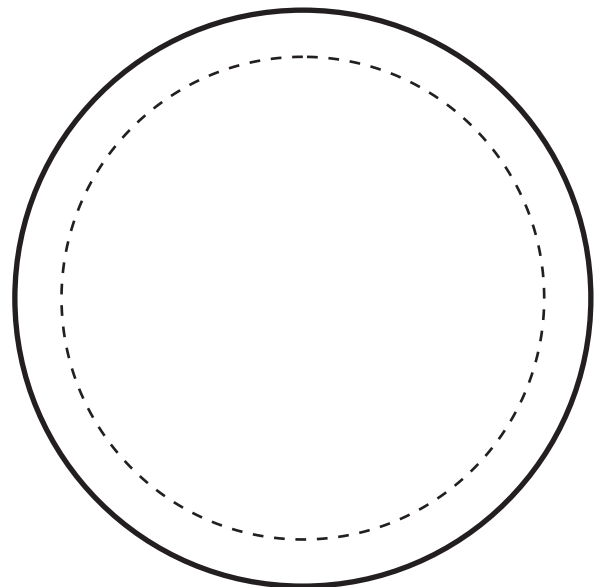
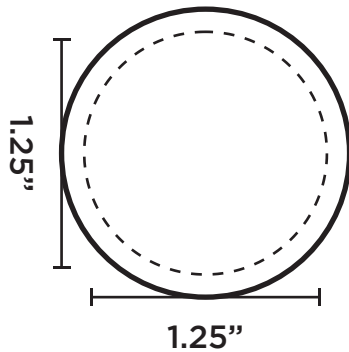
PLASTIC/WOODEN NICKELS

Purchase Order # XXXXXXXXXX

Dashed line indicates imprint area and will not appear on your product.



ENLARGED



ENLARGED