

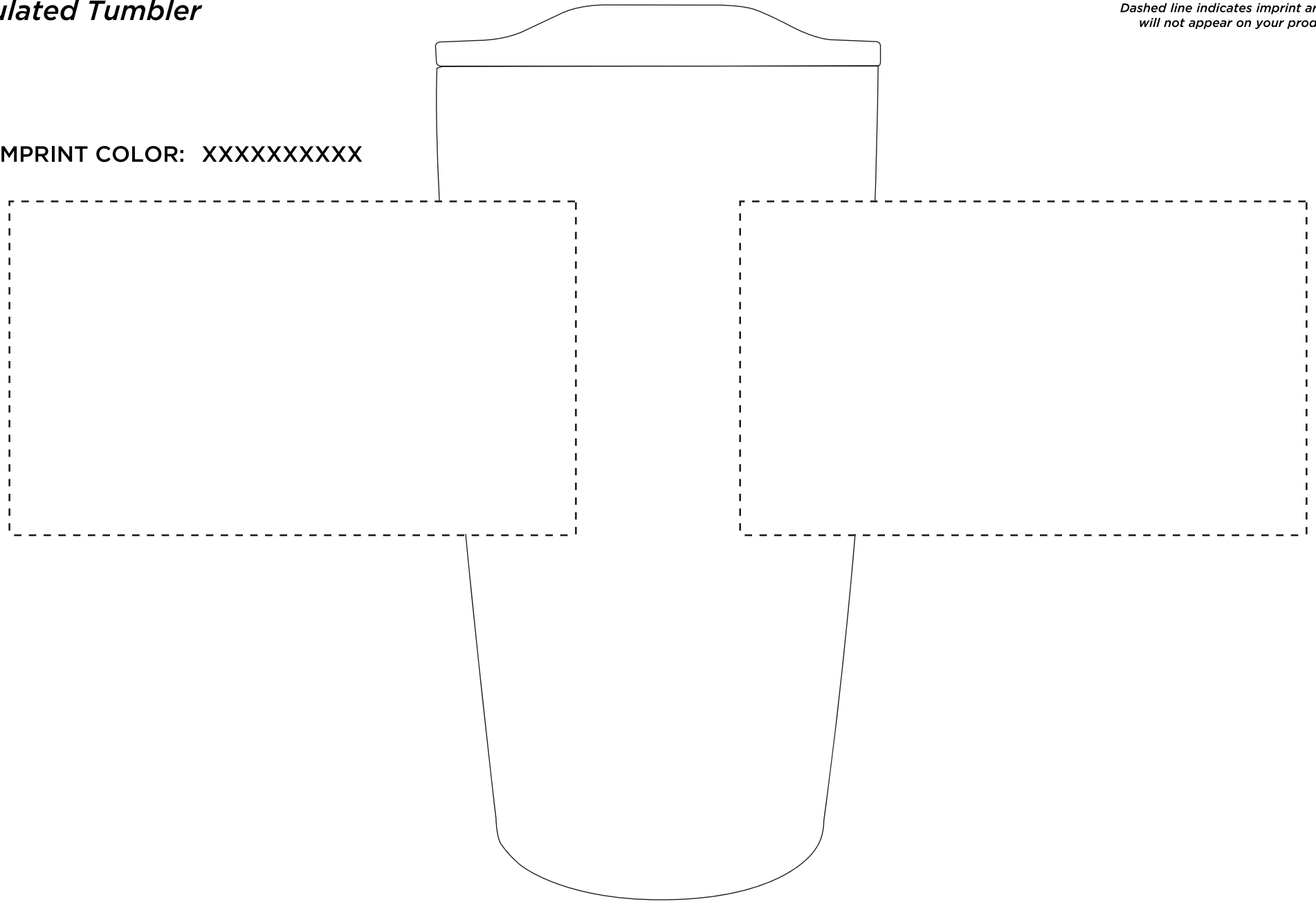
ODIN
*20 oz Odin Vacuum
Insulated Tumbler*

Purchase Order #

XXXXXXXXXXXX

*Dashed line indicates imprint area and
will not appear on your product.*

IMPRINT COLOR: XXXXXXXXXXXX



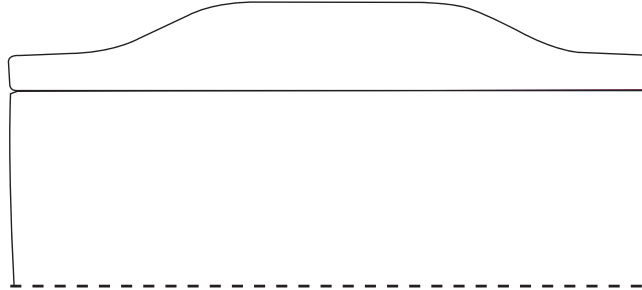
IMPRINT AREA: 4.25 in. W x 2.5 in. H

ODIN
*20 oz Odin Vacuum
Insulated Tumbler*

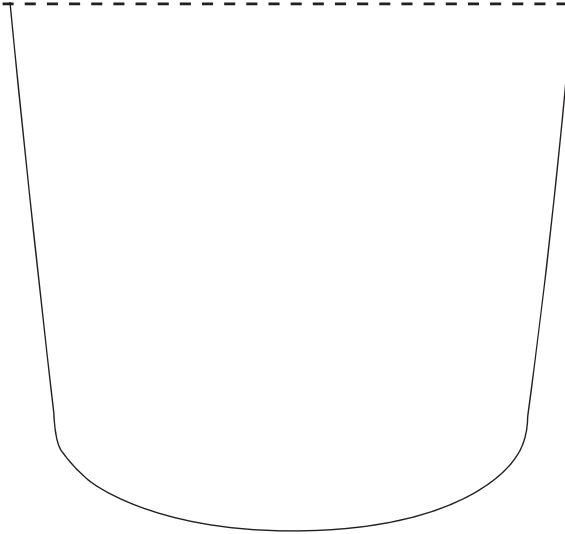
Purchase Order #

XXXXXXXXXXXX

*Dashed line indicates imprint area and
will not appear on your product.*



IMPRINT COLOR: XXXXXXXXXXXX



IMPRINT AREA: 9.5 in. W x 2.5 in. H

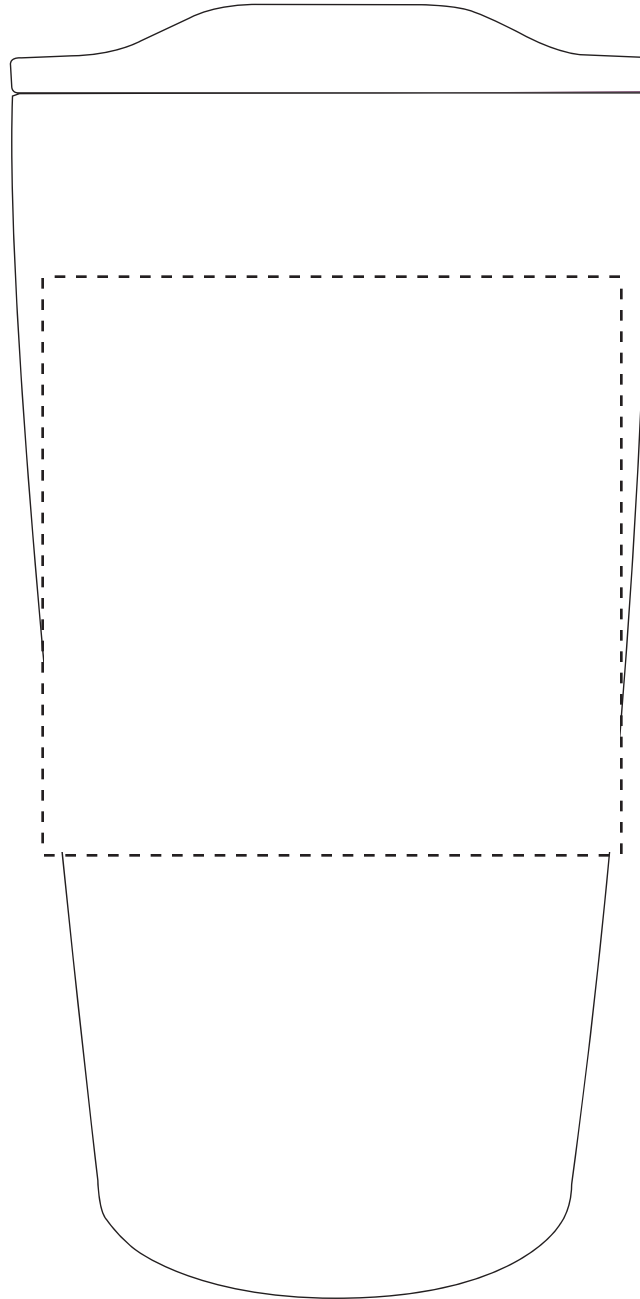
ODIN
*20 oz Odin Vacuum
Insulated Tumbler*

Purchase Order #

XXXXXXXXXXXX

*Dashed line indicates imprint area and
will not appear on your product.*

IMPRINT COLOR: LASER ENGRAVED



IMPRINT AREA: 3 in. W x 3 in. H